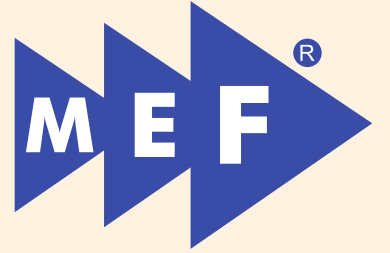




SOLAR PV MOUNTING SYSTEMS  
(Güneş Enerjisi Montaj Sistemleri)



İstanbul/TÜRKİYE



info@mefmetal.com.tr

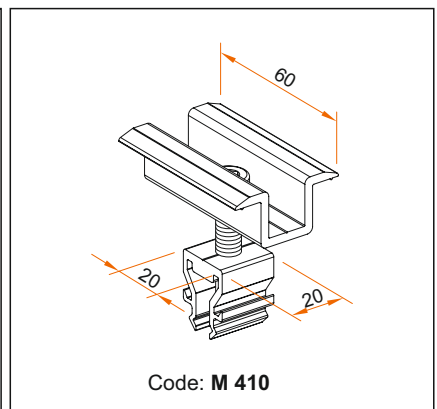
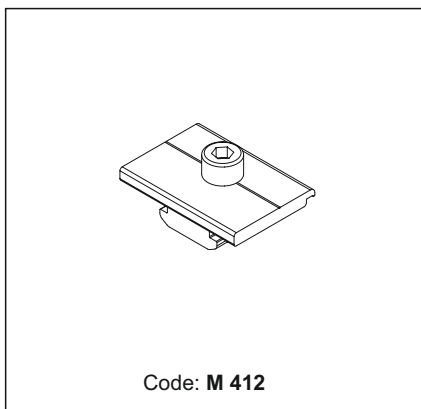
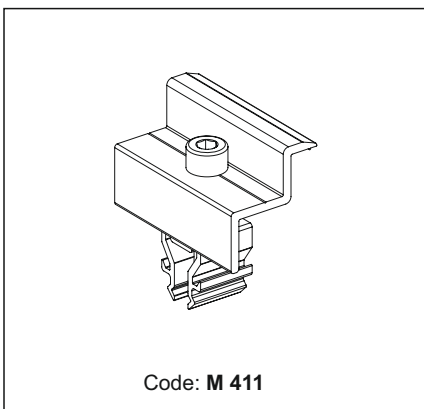
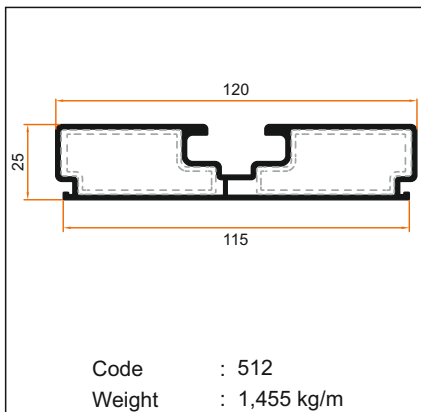
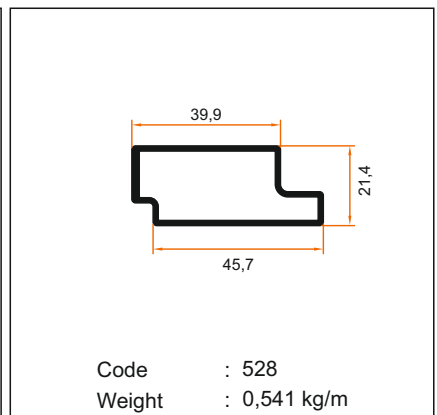
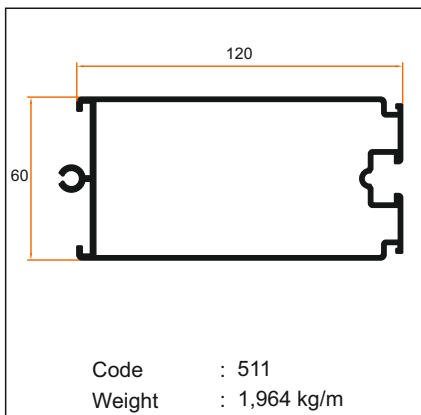
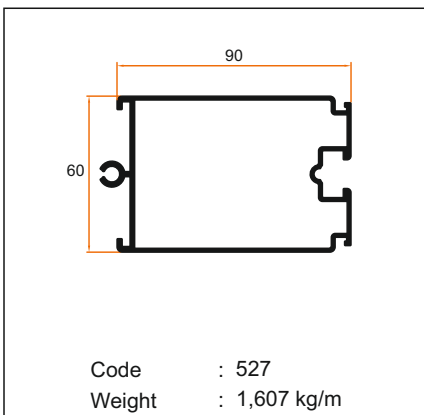
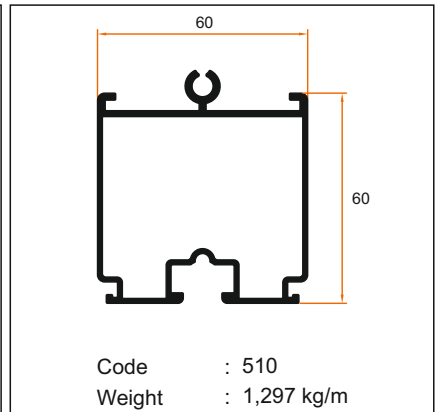
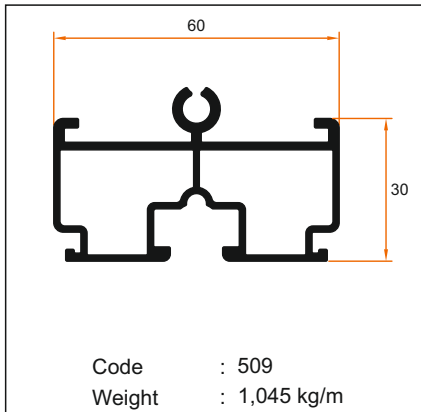
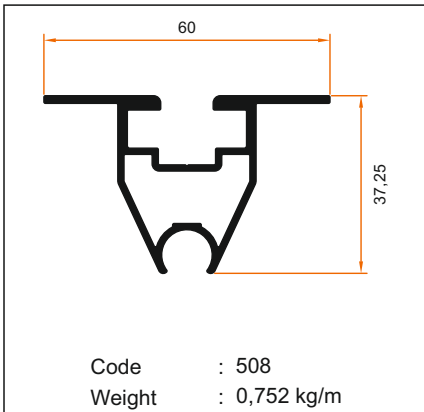


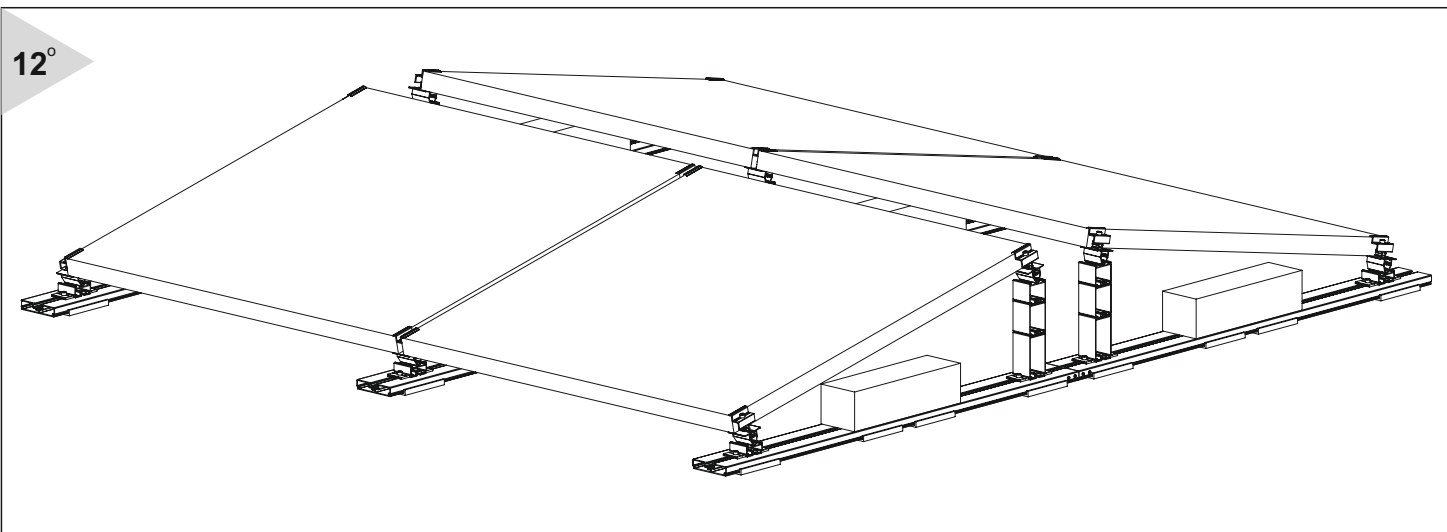
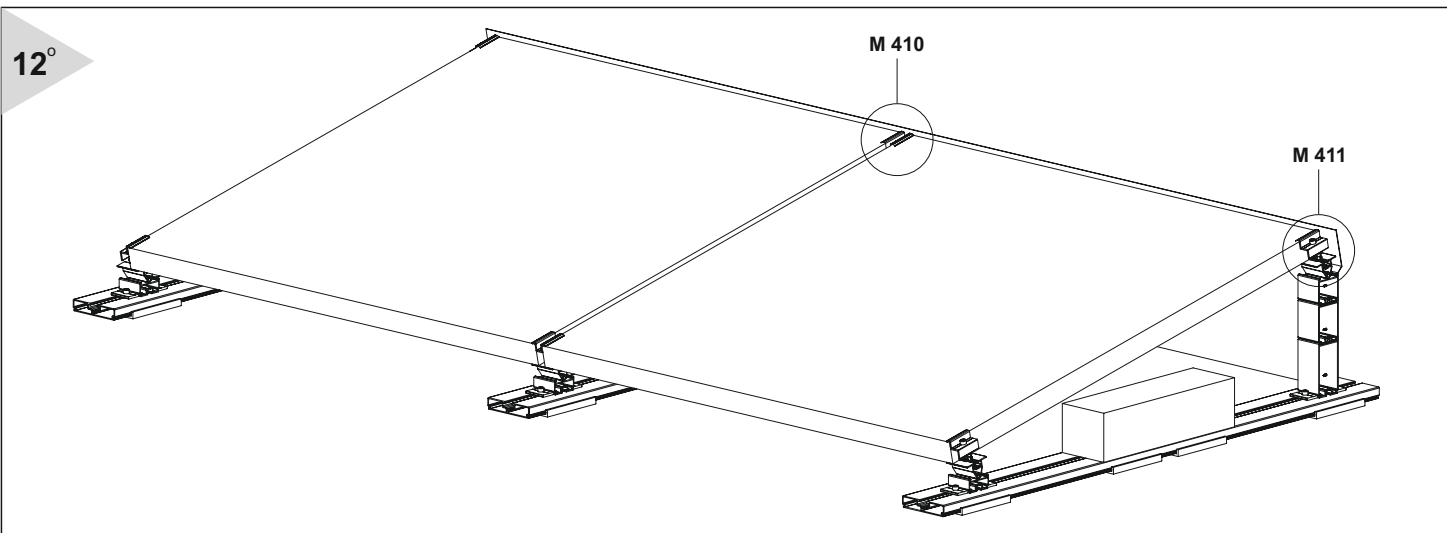
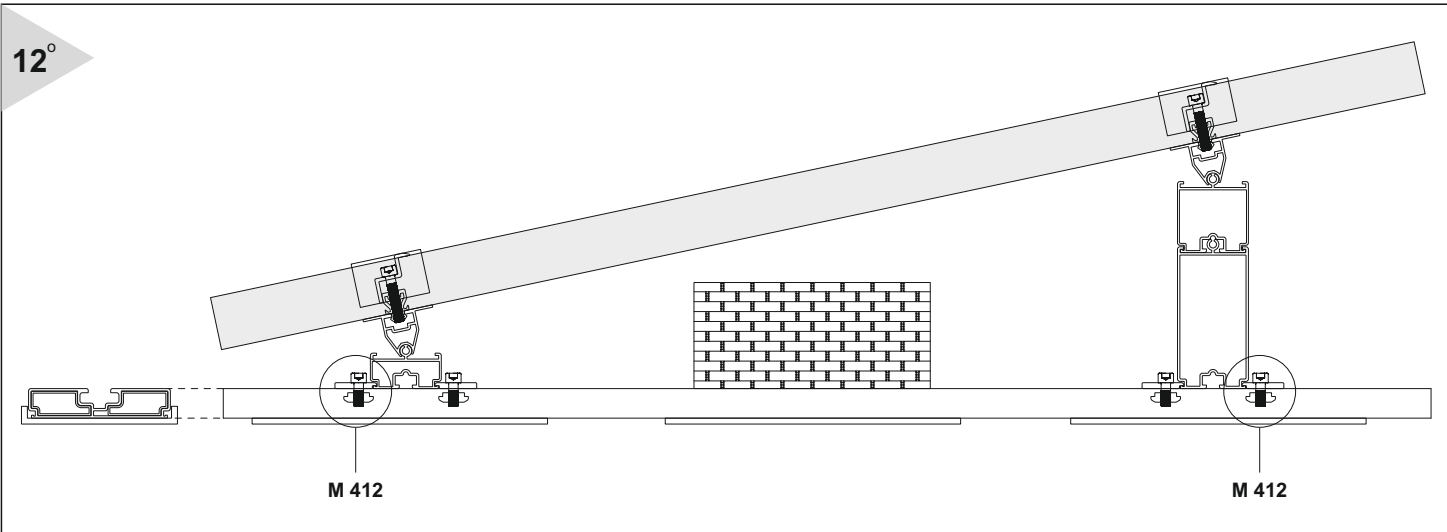
+90 216 388 74 56

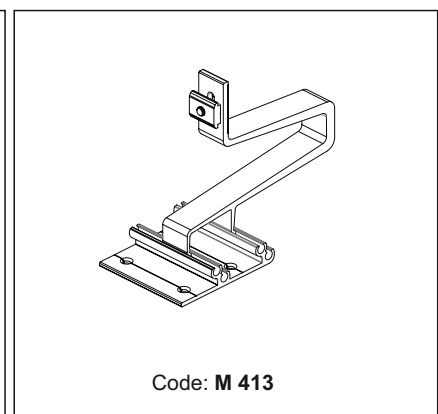
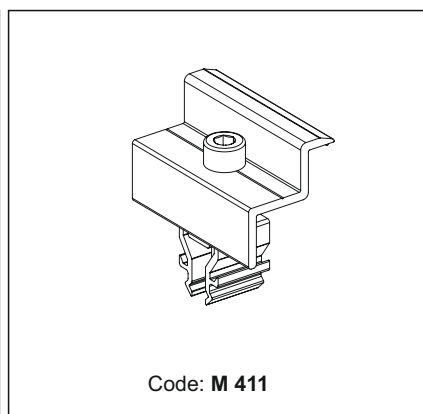
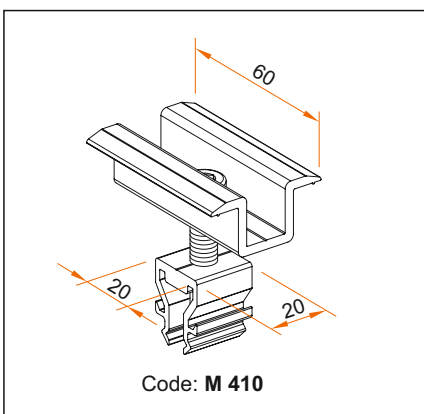
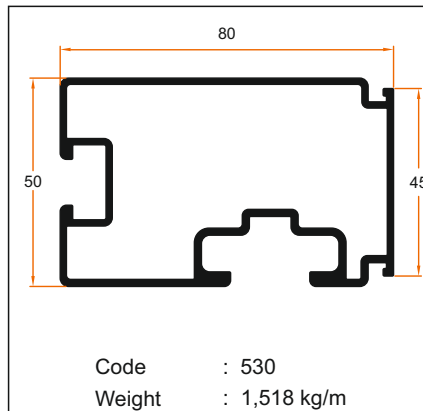
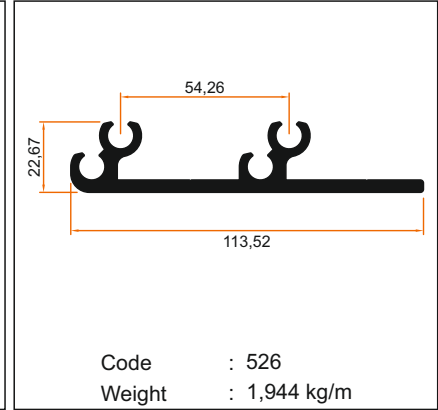
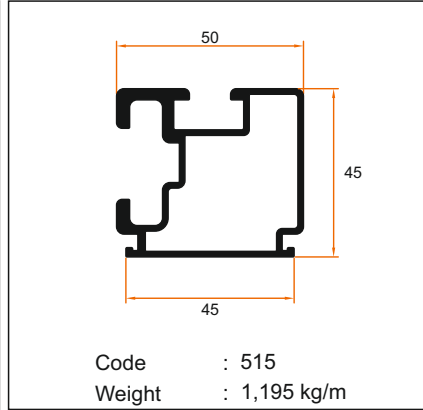
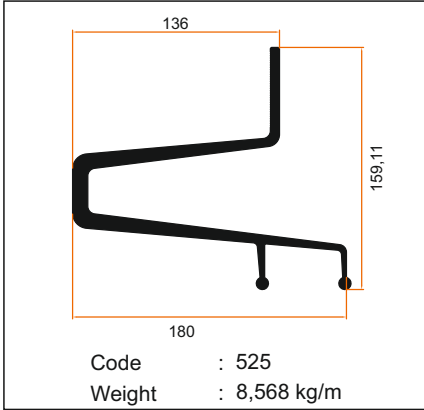


www.mefmetal.com.tr



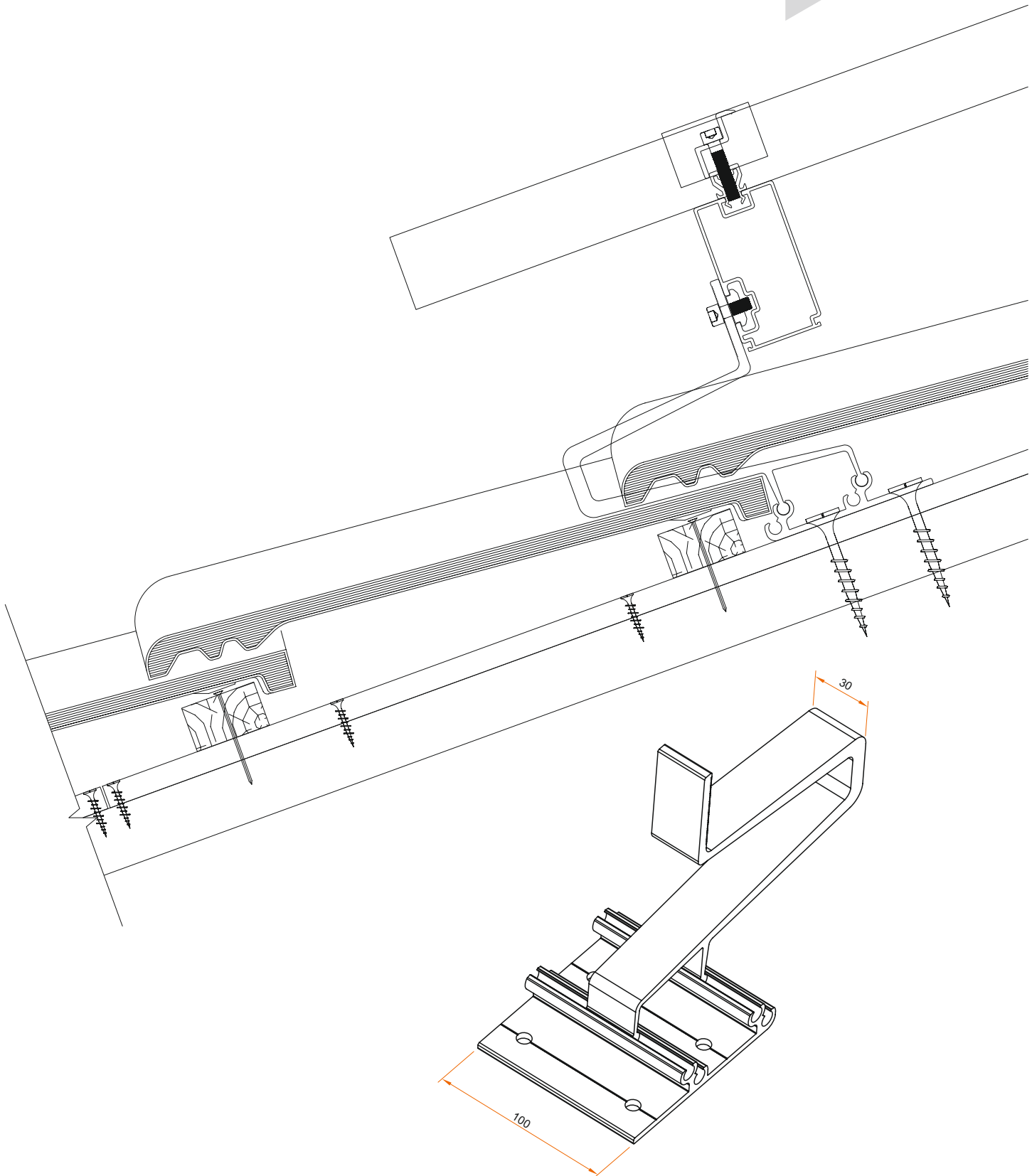


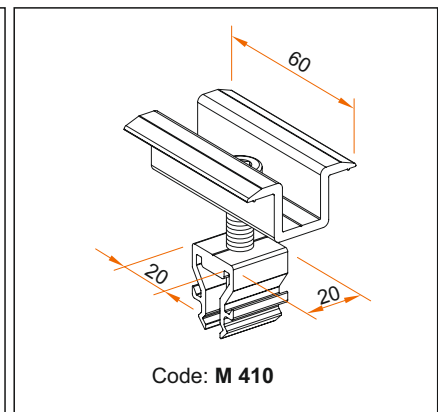
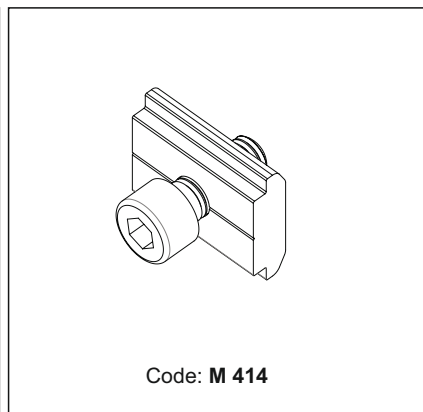
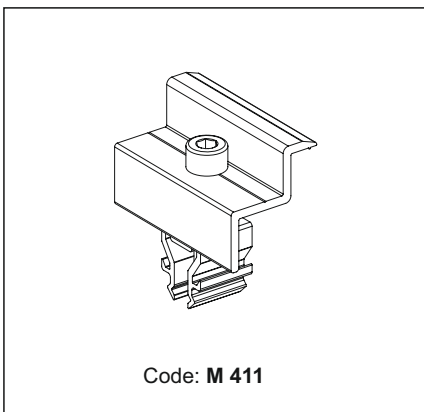
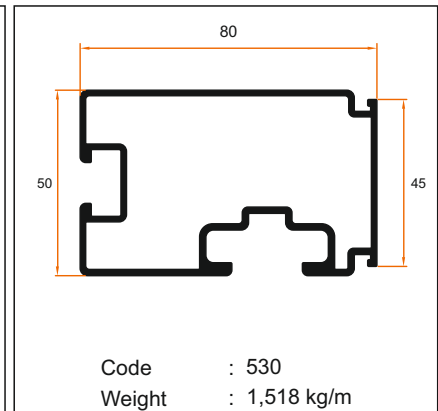
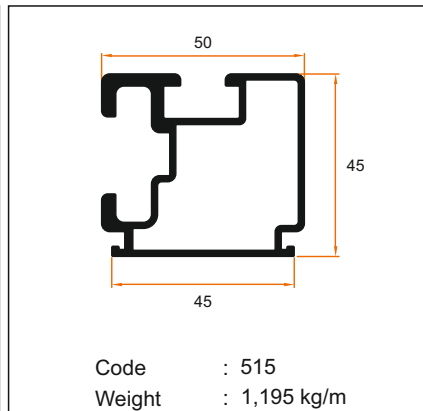
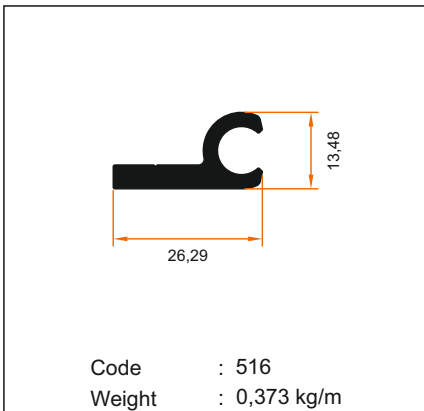
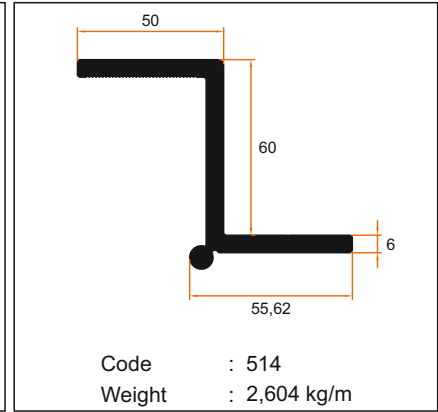
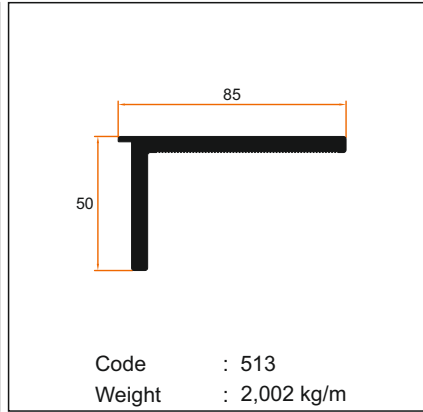
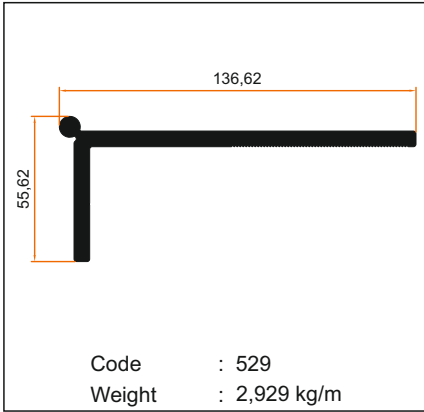






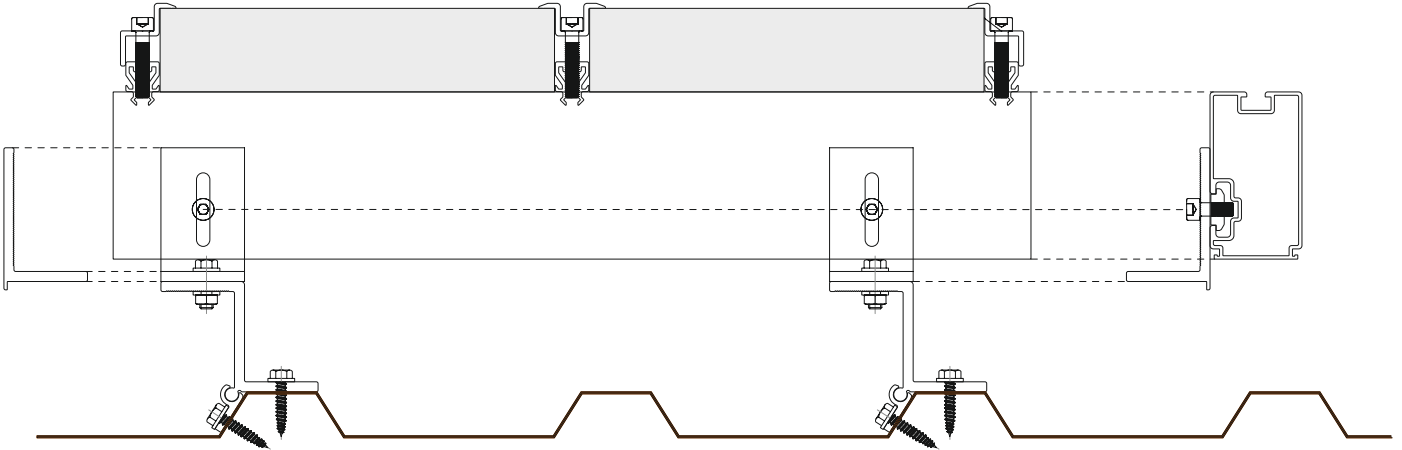
20°



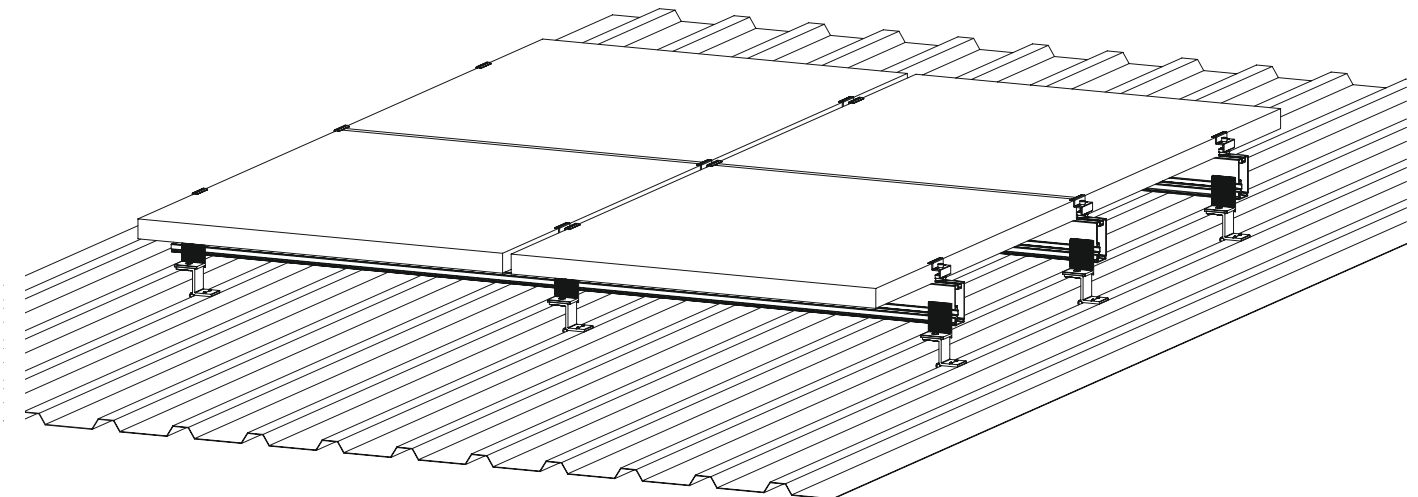
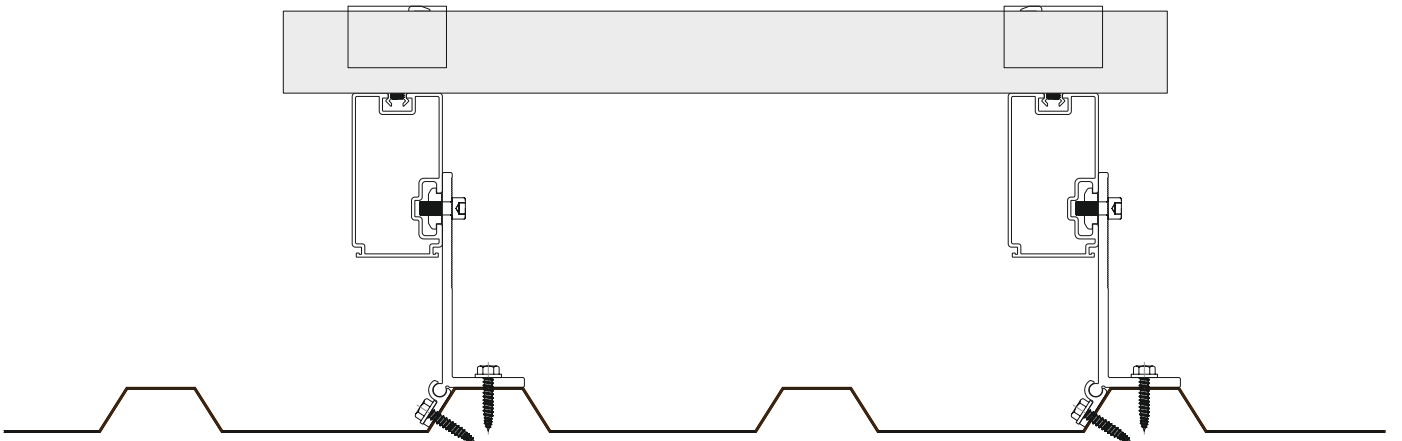


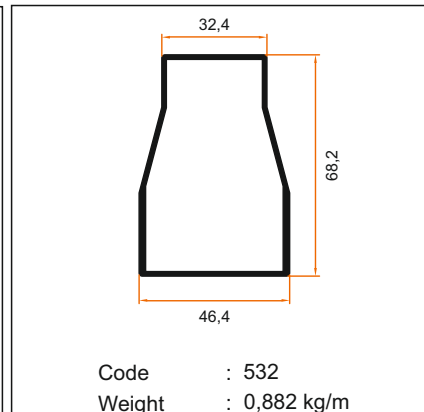
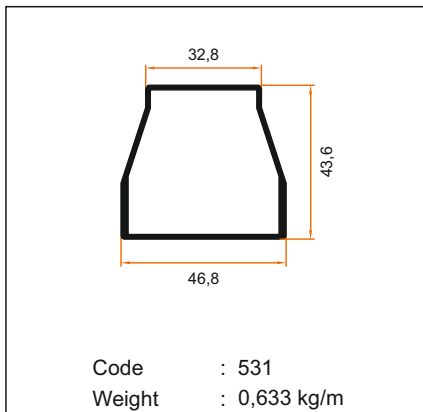
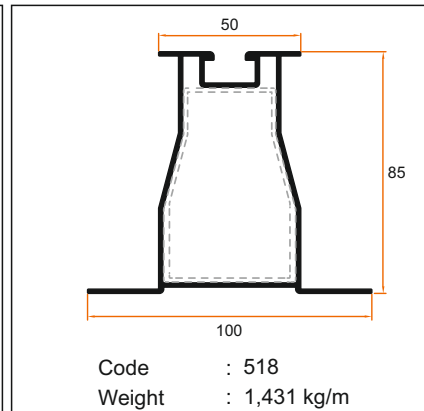
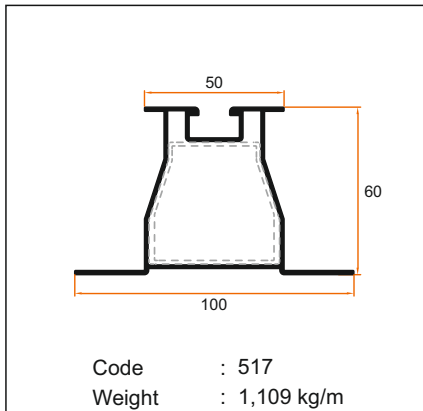


Horizontal Application

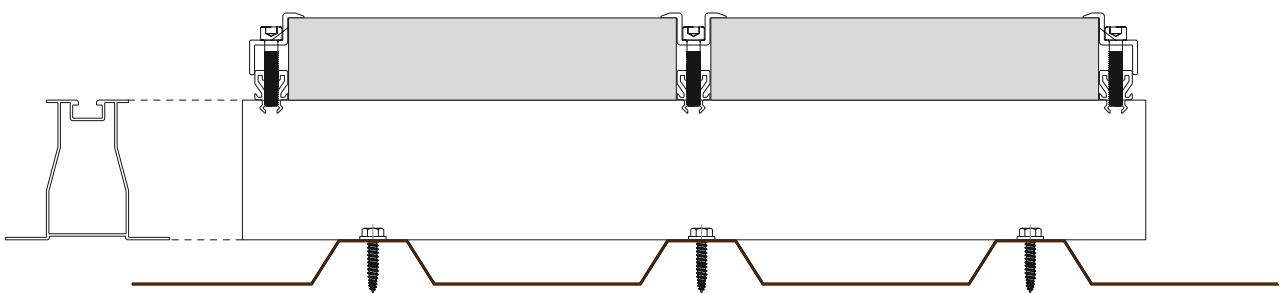


Vertical Application

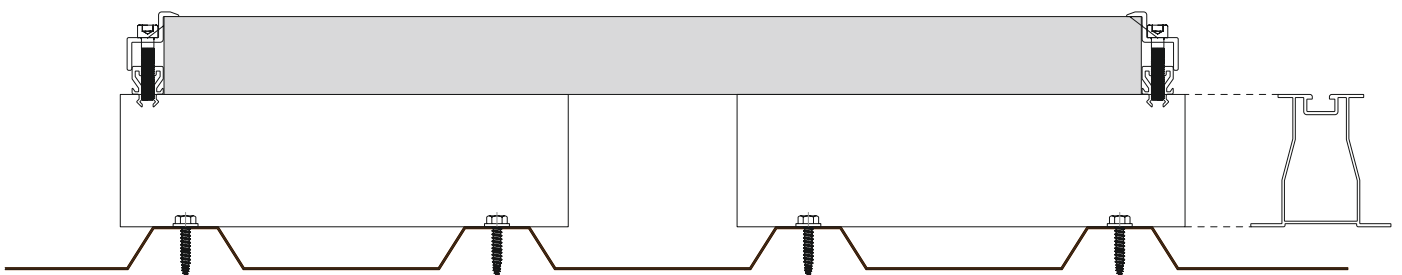




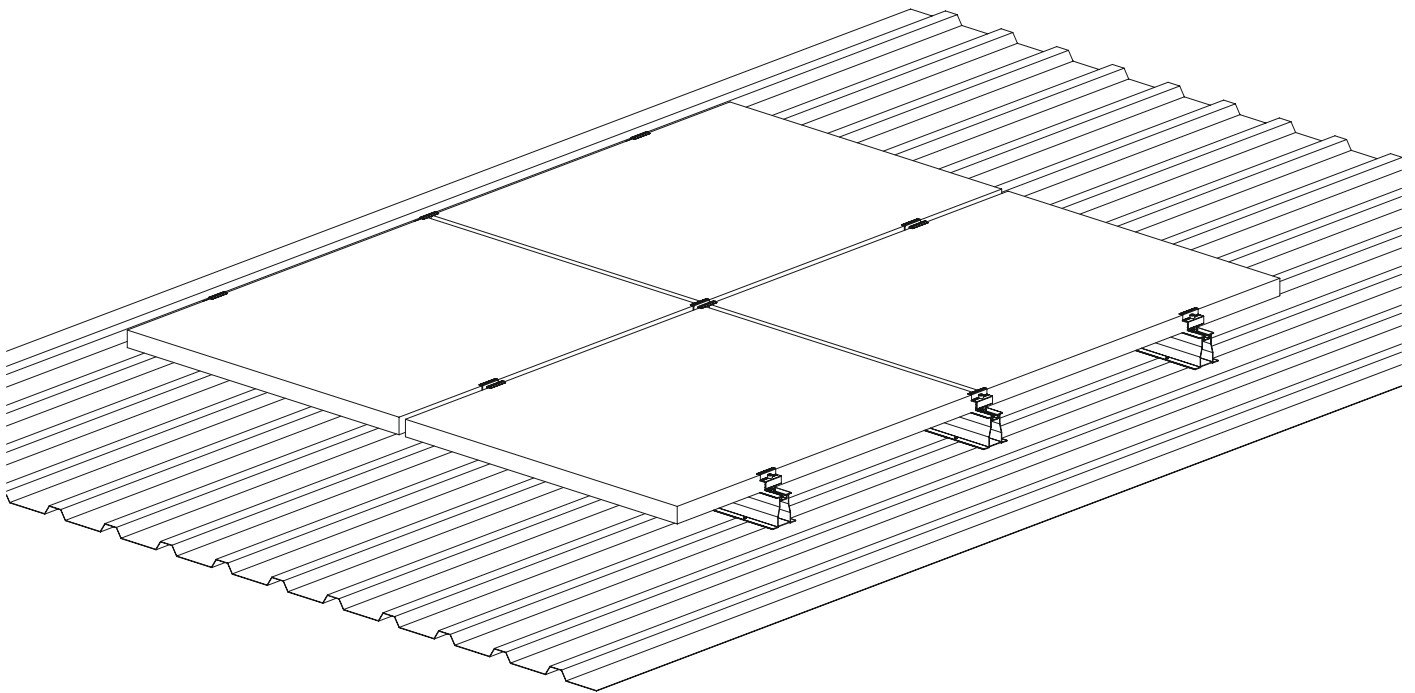
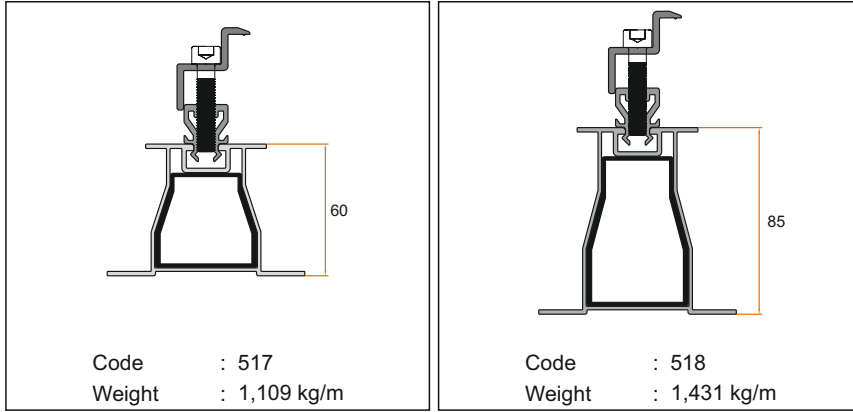
Full Length Profile Application

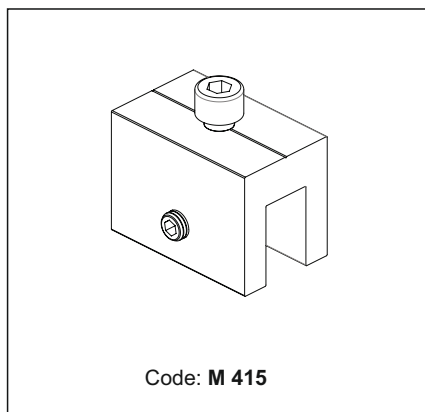
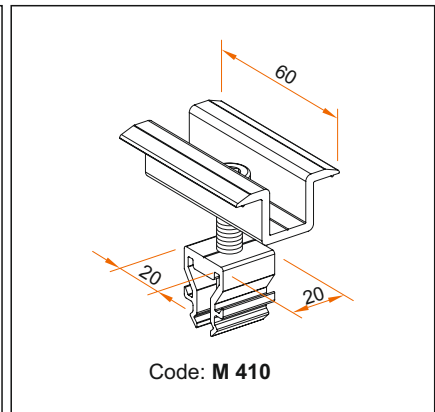
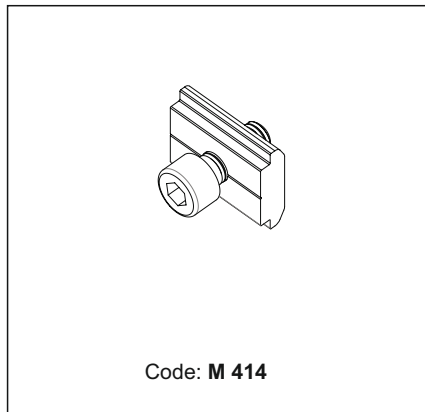
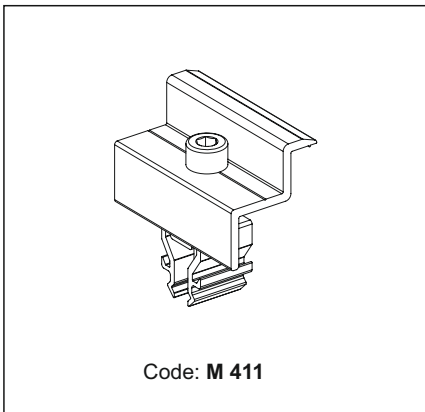
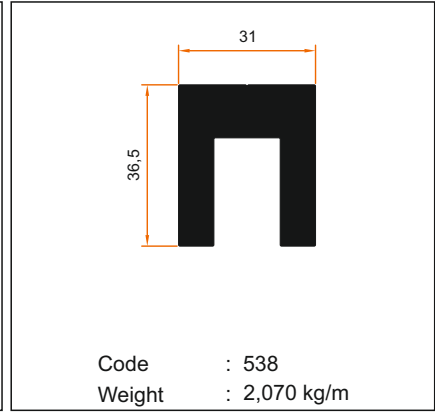
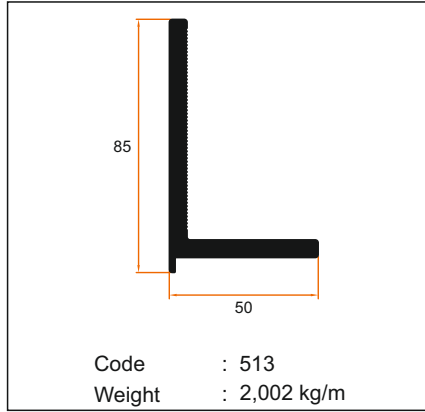
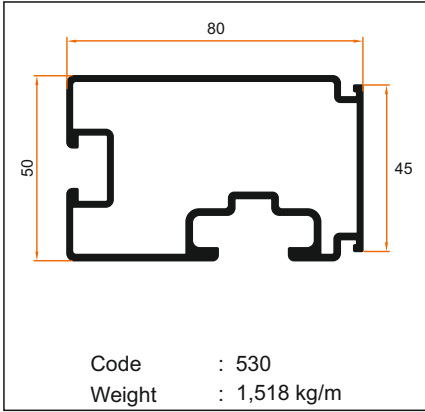


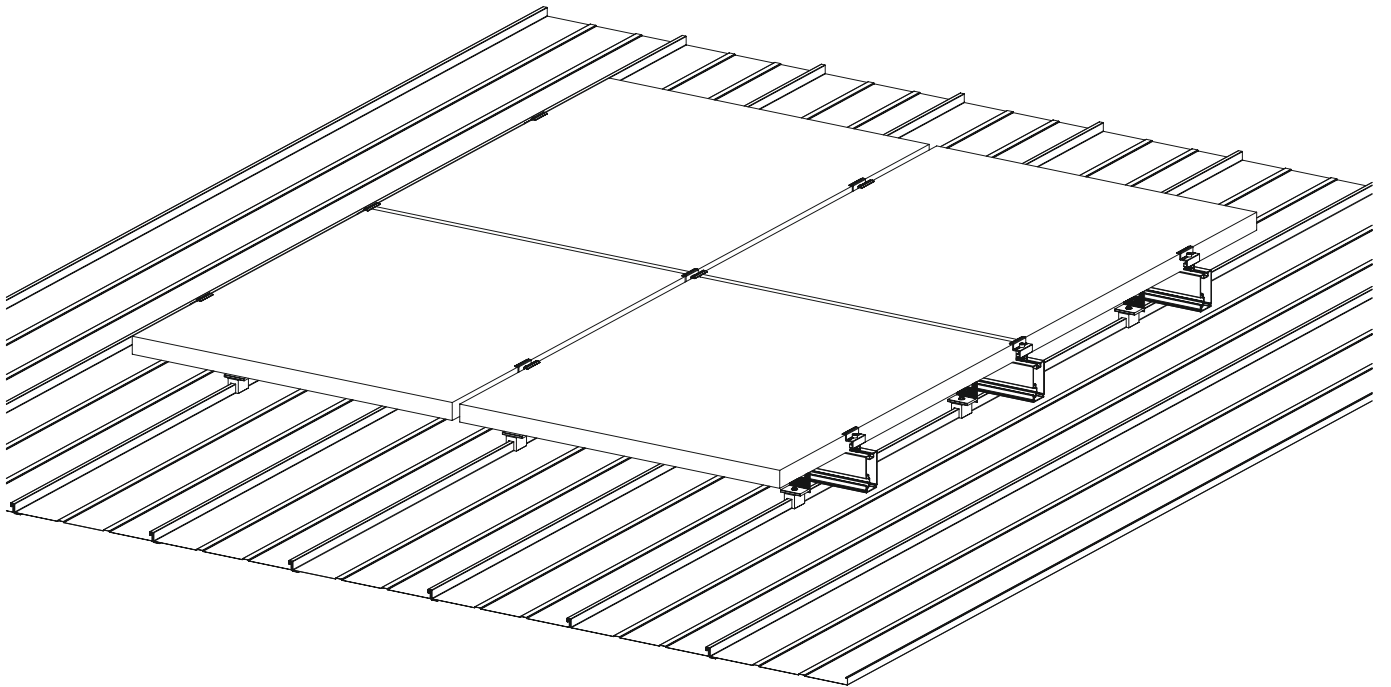
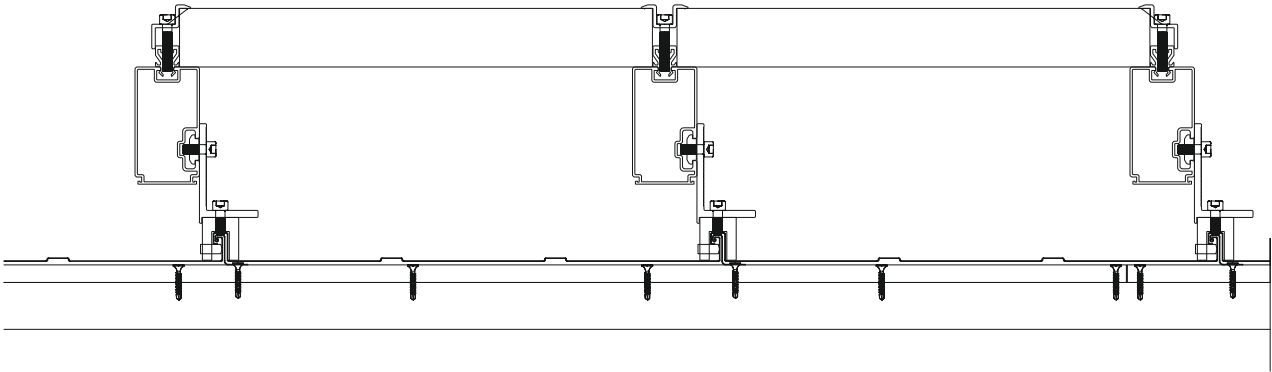
Piece by Piece Application













Code : 524  
Weight : 0,914 kg/m

Code : 533  
Weight : 1,453 kg/m

Code : 534  
Weight : 1,735 kg/m

Code : 516  
Weight : 0,373 kg/m

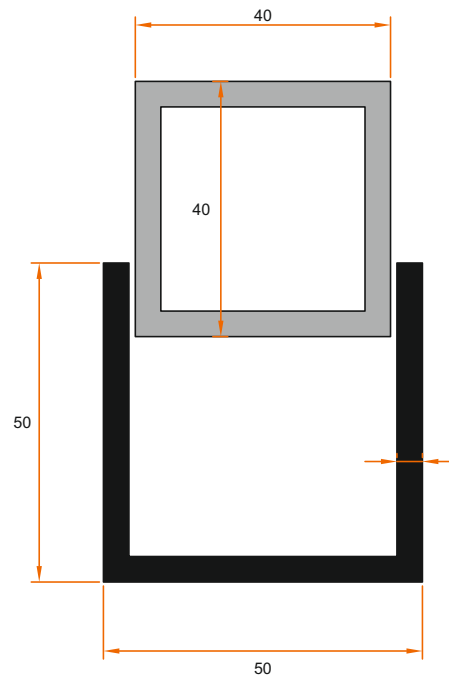
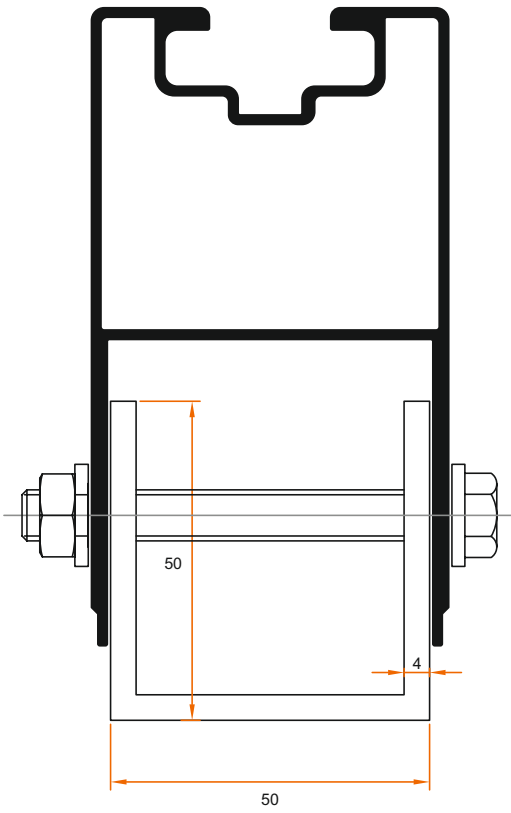
Code : 515  
Weight : 1,195 kg/m

Code : 530  
Weight : 1,518 kg/m

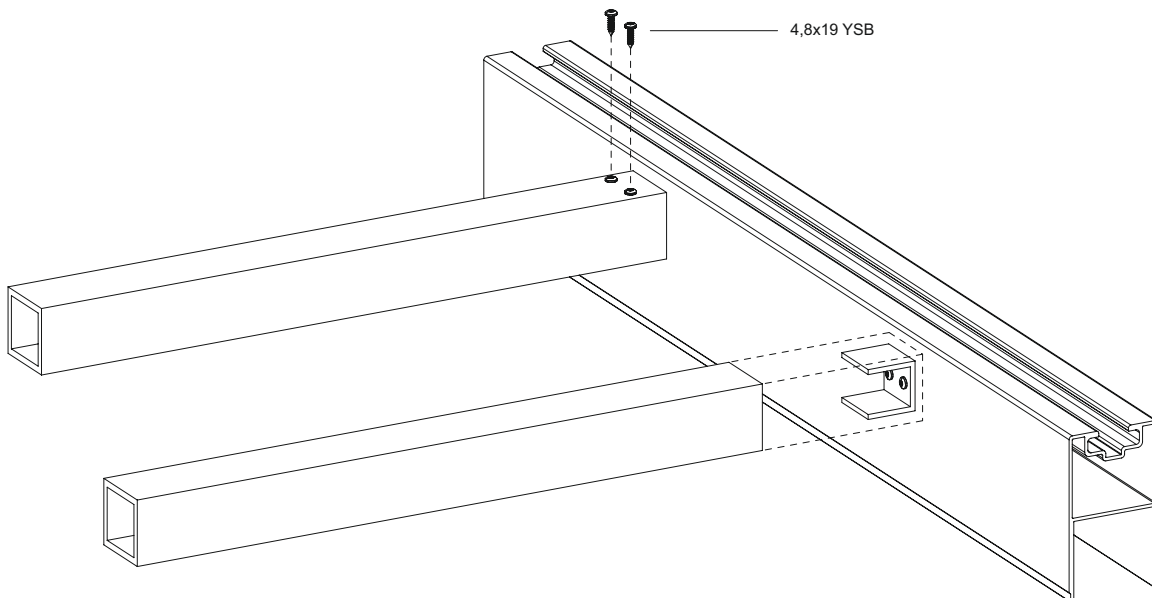
Code: **M 411**

Code: **M 412**

Code: **M 410**



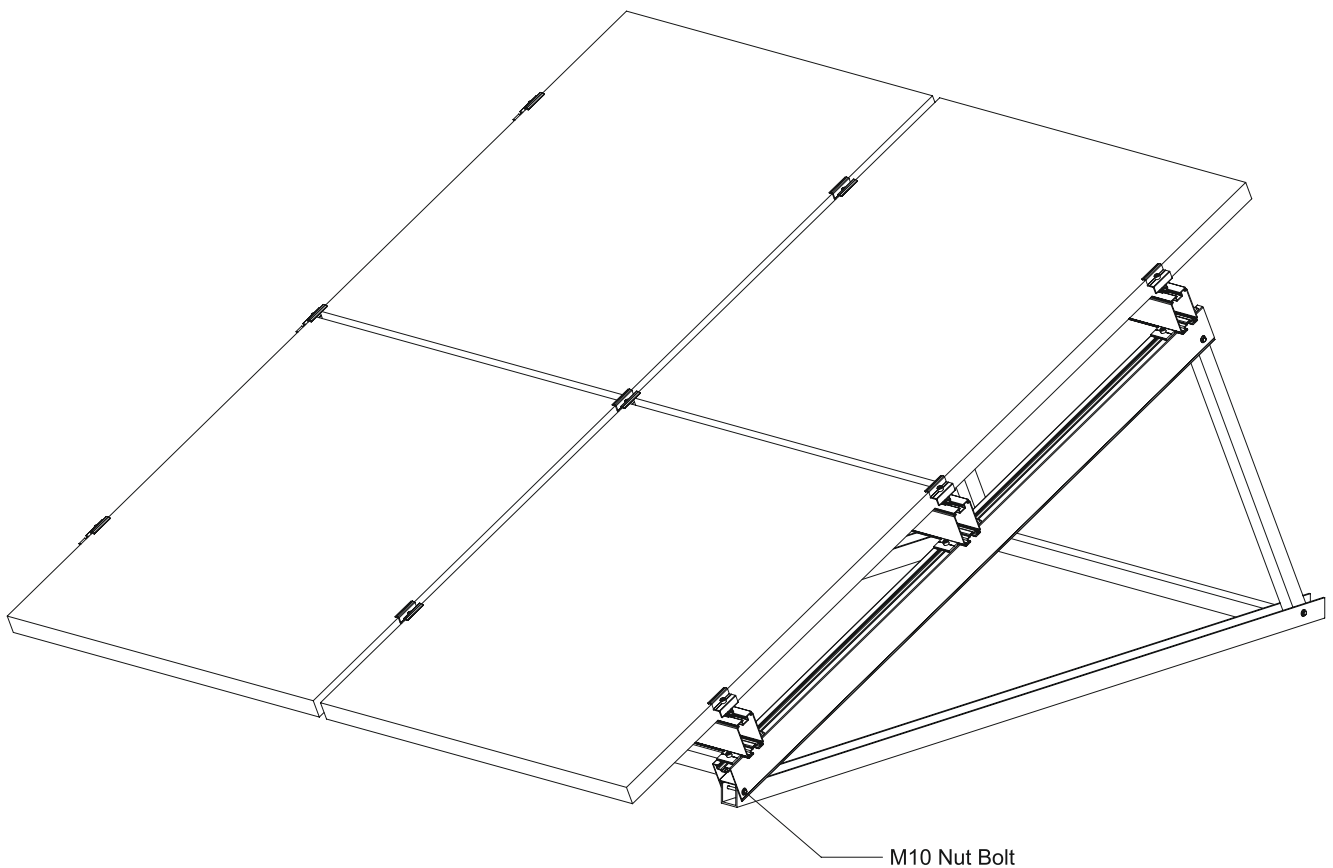
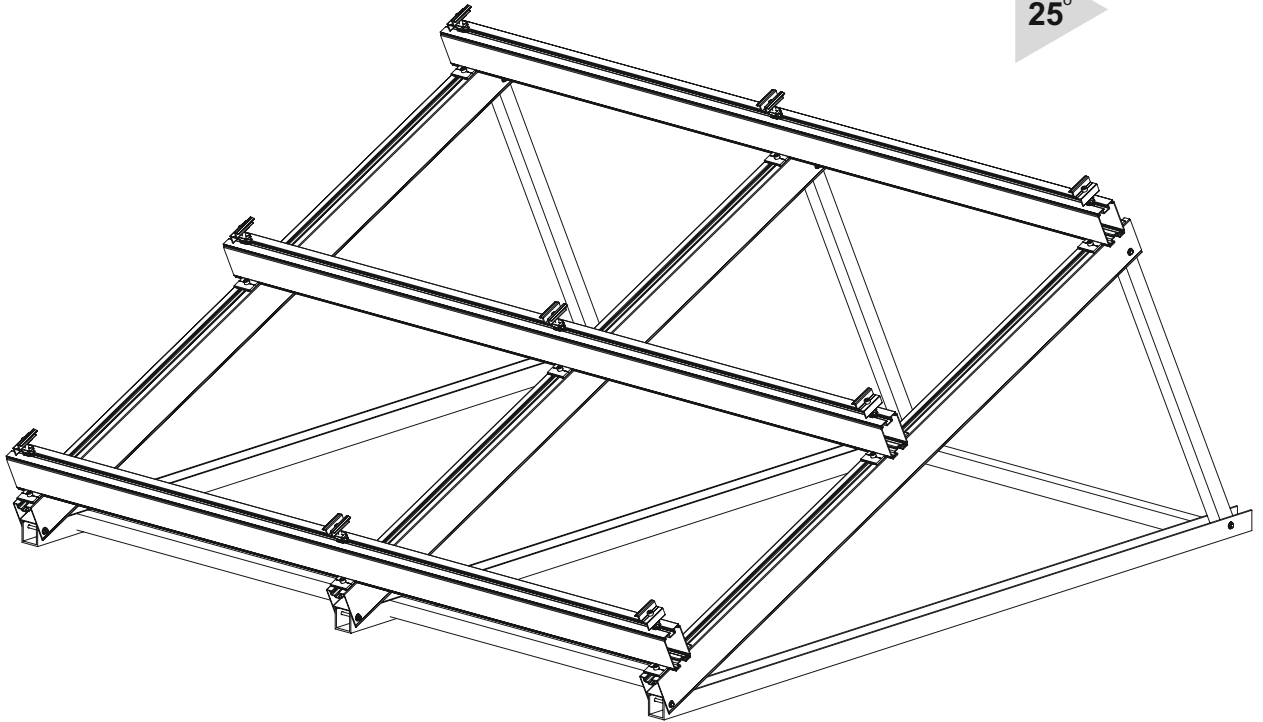
Mullion Mounting





Field Installation - 1

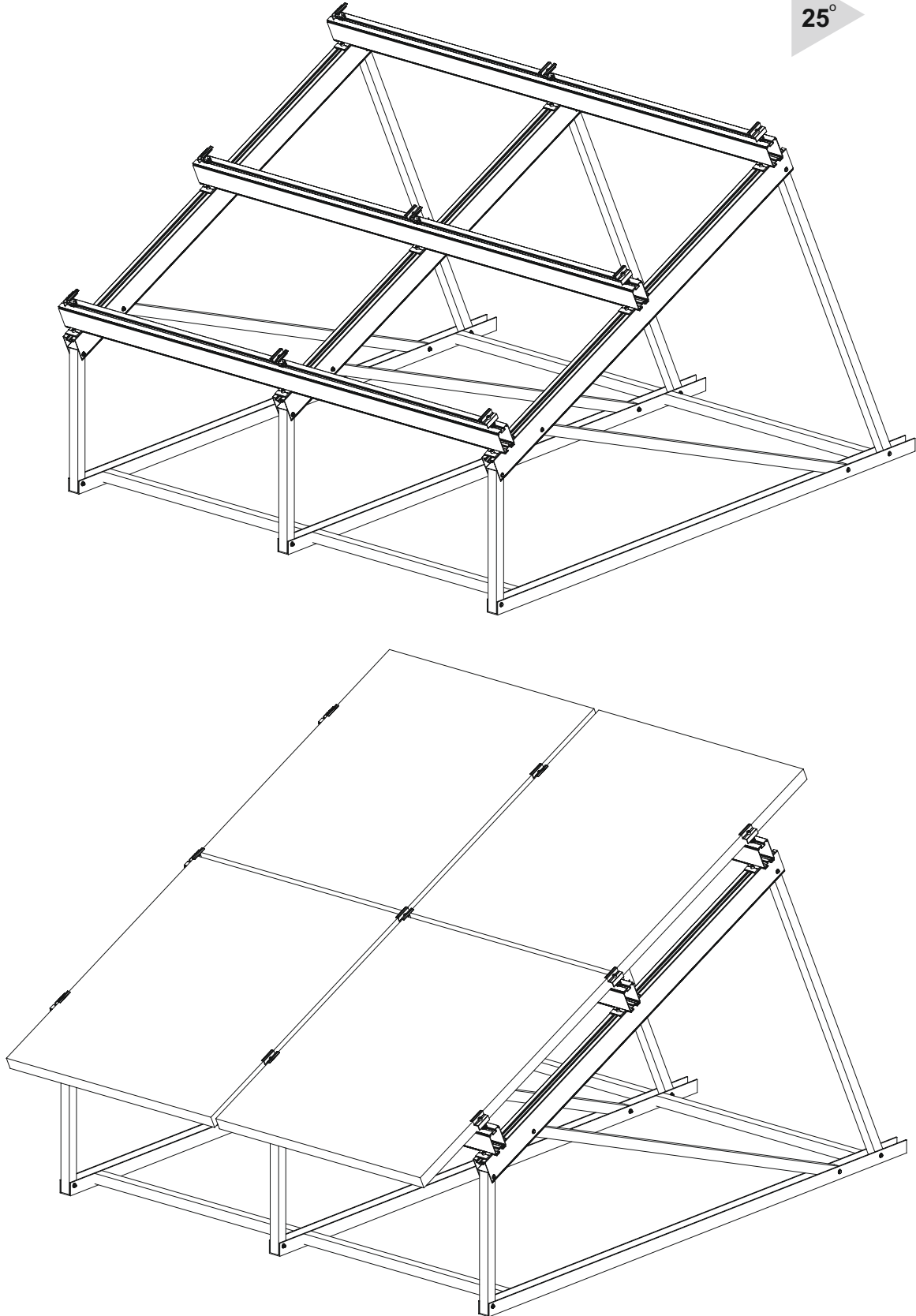
25°

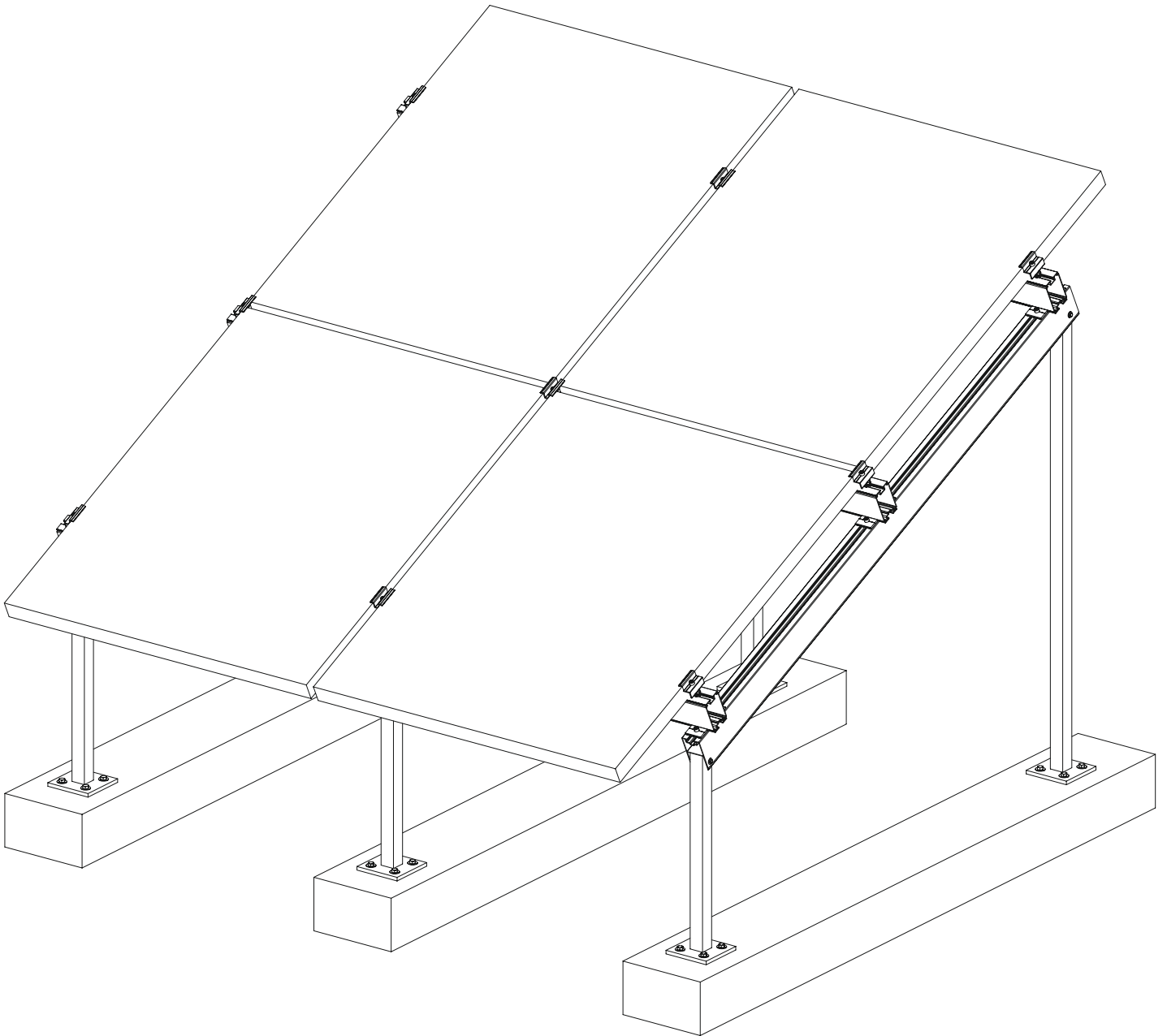




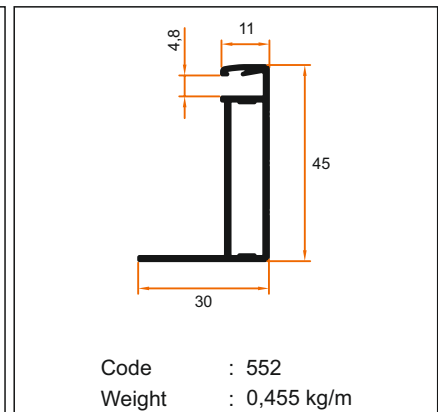
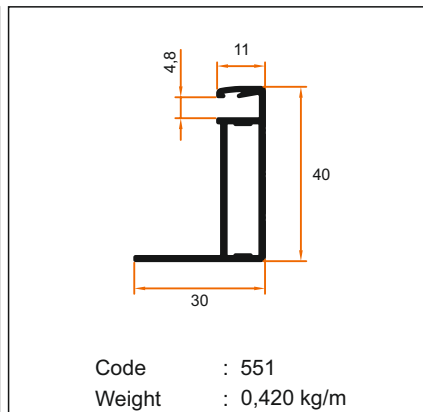
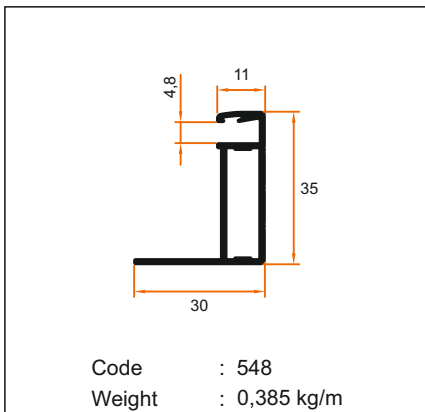
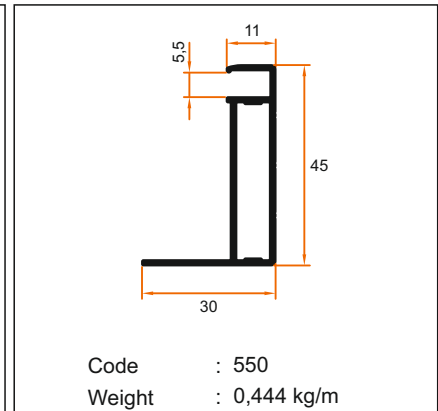
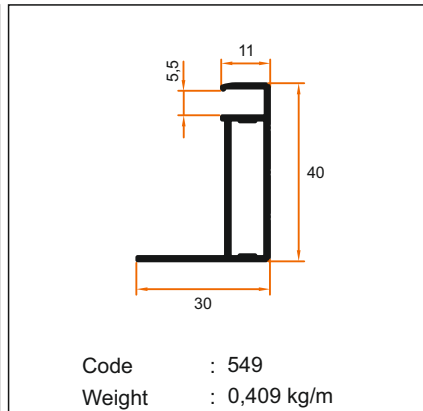
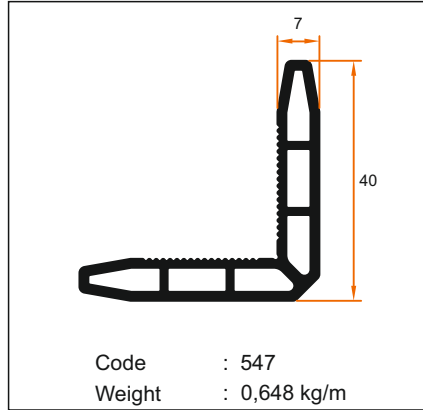
Field Installation - 2

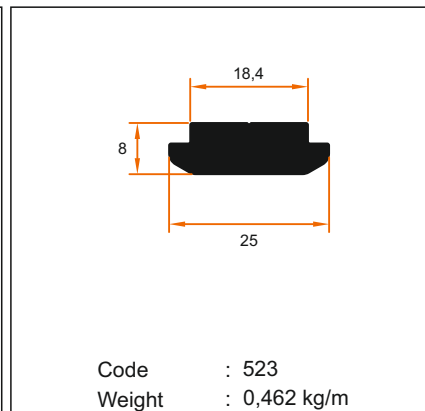
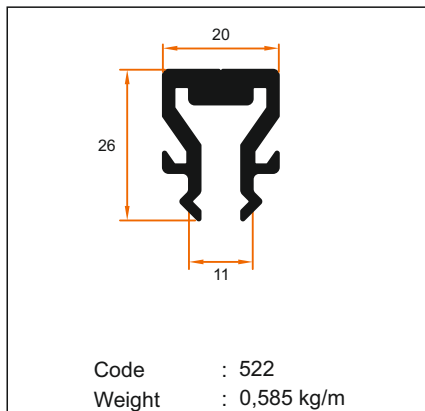
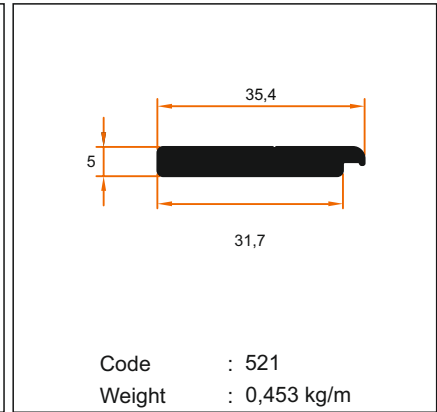
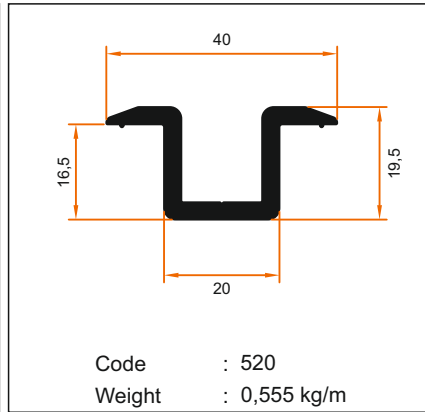
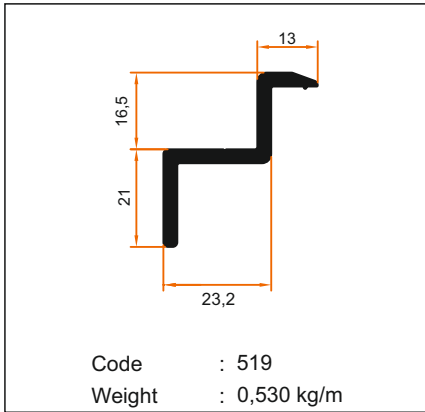
25°













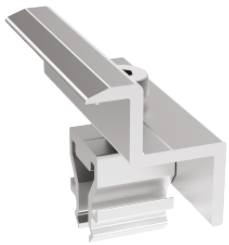
Code: M 410  
Mill Finish



Code: M 410 BA  
Black Anodized



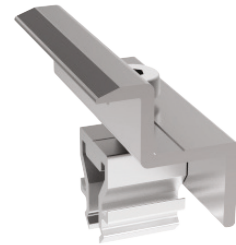
Code: M 410 NA  
Natural Anodized



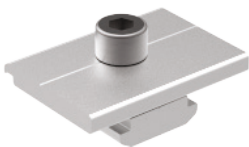
Code: M 411  
Mill Finish



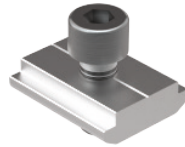
Code: M 411 BA  
Black Anodized



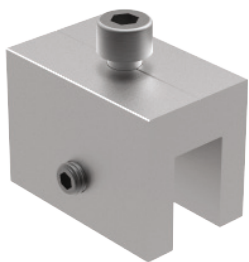
Code: M 411 NA  
Natural Anodized



Code: M 412



Code: M 414



Code: M 415



Code: M 413